



SM15K – Master/Slave Assembly Kits

- **M/S SER SET BA**
- **M/S SER SET BB**

M/S SER Kits SM500-CP-90

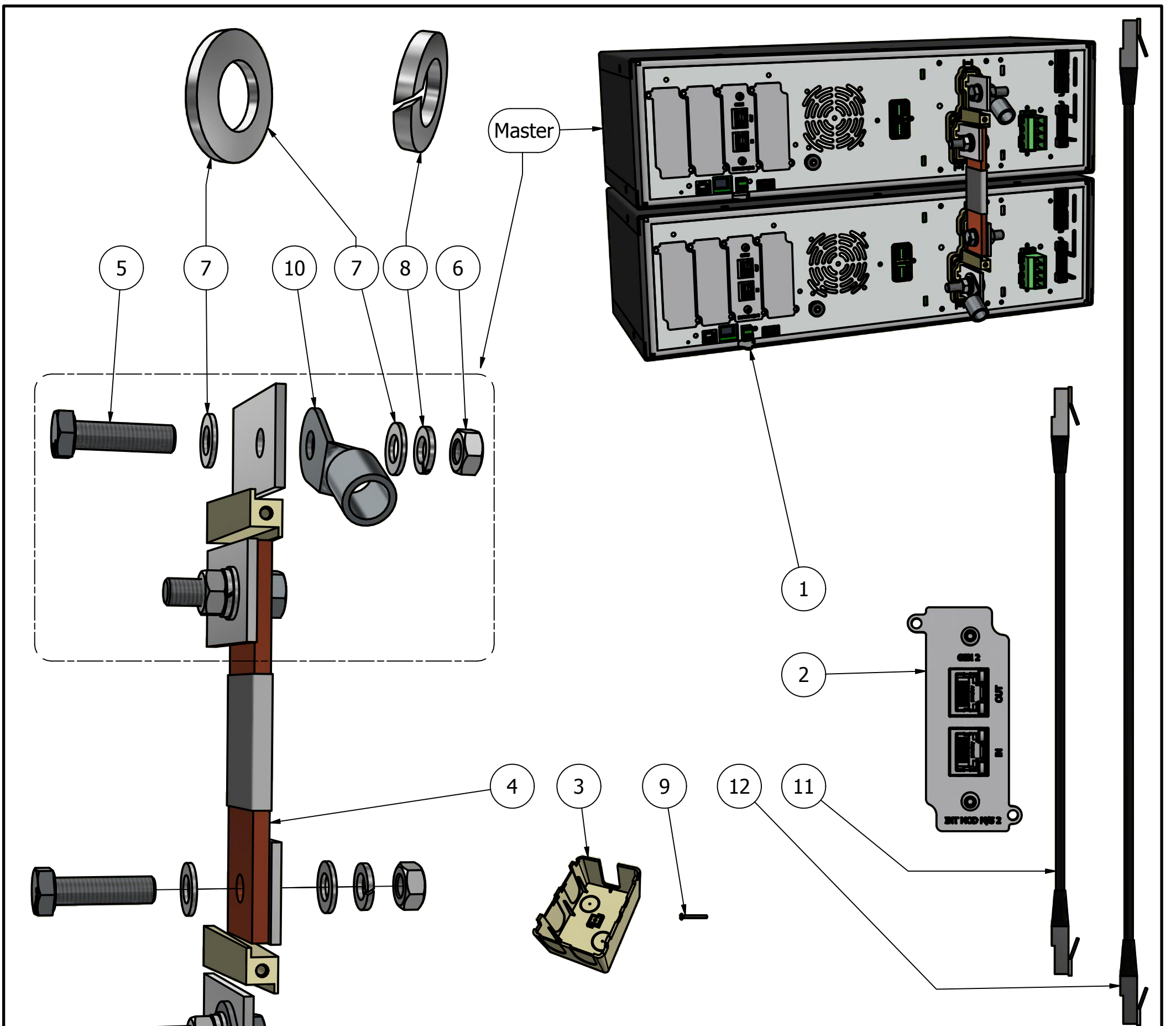
This document is an addition to the SM15K interface manual.
It contains instructions for the connection for Master/Slave set-ups
using the M/S SER assembly kits.

APPLICATION NOTE

Revision 2020/07

Contents:

- 1 – M/S SER SET BA
- 2 – M/S SER SET BB



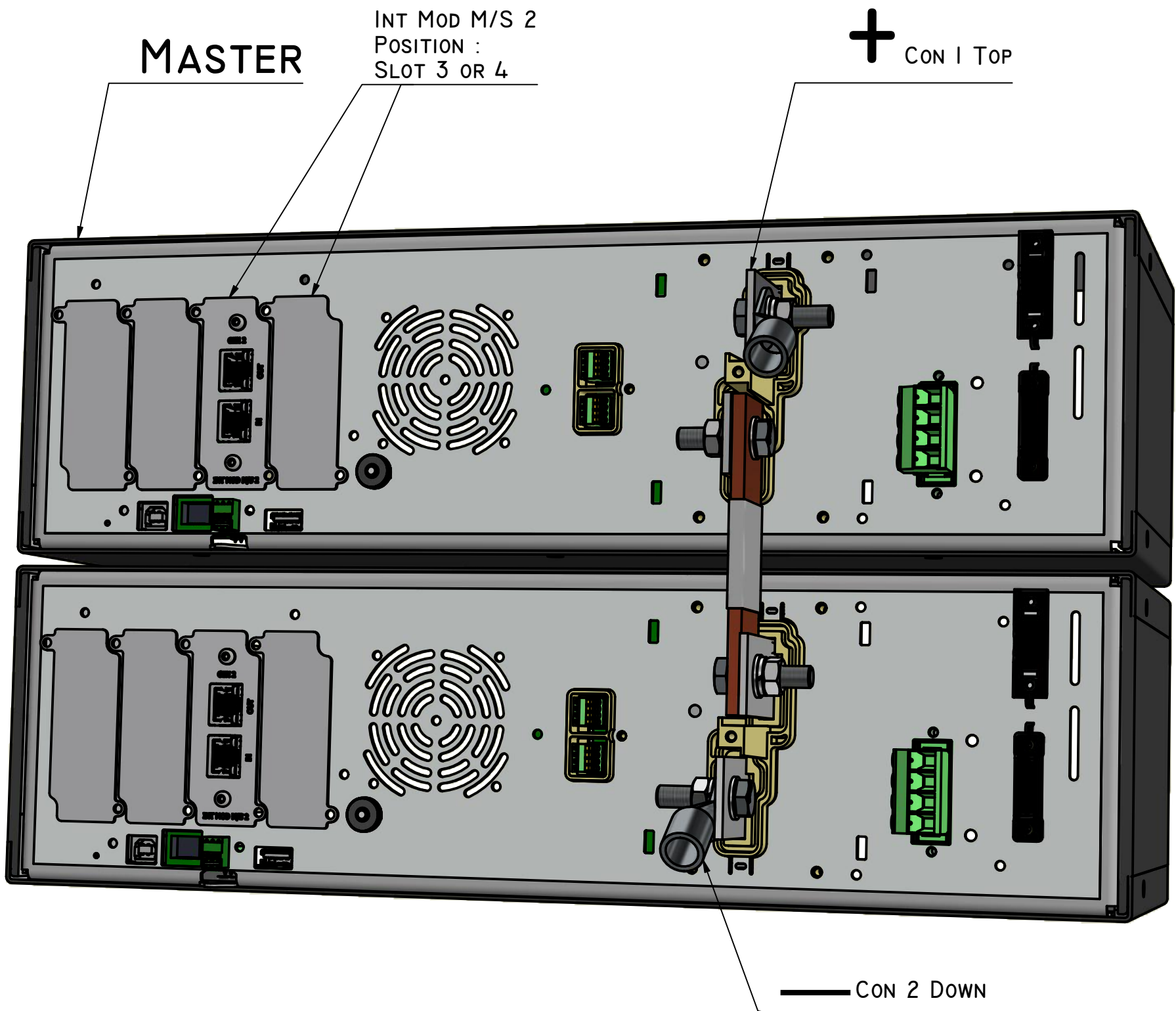
PARTS LIST

M/S SER SET BA	ITEM	QTY	STOCK NUMBER	DESCRIPTION
*	1	2	SM500-CP-90	power unit
*	2	2	int mod m/s 2	interface m/s gen 2
v	3	2	dwg2532	cover output parallel 1
v	4	1	dwg2537	m/s strip series hv
	5	4	M8x30SG DIN933	screw M8X30 SG DIN933 10.9/Geomet-500
	6	4	M8 A2 DIN934	nut M8 A2
	7	8	M8 A2 DIN125A	washer M8 A2
	8	4	M8 A2 DIN127B	lock washer A2
	9	2	3.5x30 A2 T10	D-PT 3.5x30 ro he A2 T10 selftap
	10	2	Not supplied	Load cable cable lug M8
v	11	1	CBL P SFTP 0.5 BK	patchcable BK 0.5m RJ45
v	12	1	CBL P SFTP 1 BK	patchcable BK 1 m RJ45

* ORDER SEPARATELY

REVISIONS	DATE	NAME	SURFACE TREATMENT:	MAT:
REMARK:				DIM: mm Tol.: ± 0.2
			NAME DESIGNER	Delta Elektronika B.V.
			S.Janse	VISSERSDIJK 4
			DATE	4301 ND ZIERKZEE
			25-06-2020	NETHERLANDS
TITLE: MASTER SLAVE assembly series 2U			DWG	
			A3 SHEET 1-2	

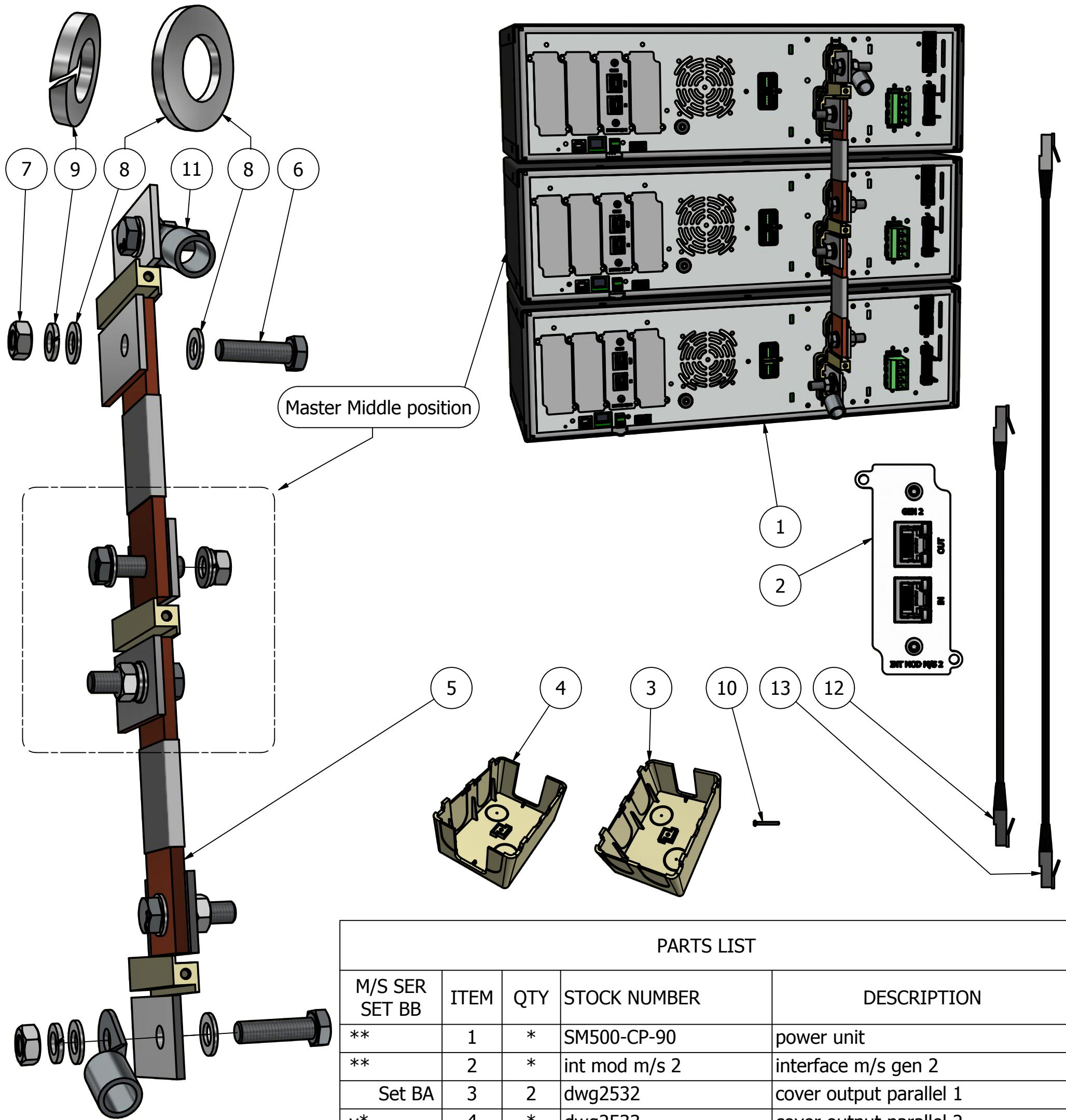




SM500-CP-90 (2x)

			SURFACE TREATMENT:	MAT:
				DIM: mm Tol.: ± 0.2
			NAME DESIGNER	Delta Elektronika B.V.
			S.Janse	VISSERSDIJK 4
			DATE	4301 ND ZIERIKZEE
REVISIONS	DATE	NAME	25-06-2020	NETHERLANDS
REMARK:	TITLE: MASTER SLAVE		DWG	
	assembly series 2U		A3	
			SHEET 2-2	





*
CONNECTION SETUP 3/4/5/6 UNITS
M/S SER SET BA INCLUDED

UNITS	3	4	5	6
ITEM 2	3x	4x	5x	6x
3	2x	2x	2x	2x
4	1x	2x	3x	4x
5	2x	3x	4x	5x
12	2x	3x	4x	5x

** ORDER SEPARATELY

PARTS LIST

M/S SER SET BB	ITEM	QTY	STOCK NUMBER	DESCRIPTION
**	1	*	SM500-CP-90	power unit
**	2	*	int mod m/s 2	interface m/s gen 2
Set BA	3	2	dwg2532	cover output parallel 1
v*	4	*	dwg2533	cover output parallel 2
v*	5	*	dwg2537	m/s strip series hv
	6	unit	M8x30SG DIN933	screw M8X30 SG DIN933 10.9/Geomet-500
	7	unit	M8 A2 DIN934	nut M8 A2
	8	unit	M8 A2 DIN125A	washer M8 A2
	9	unit	M8 A2 DIN127B	lock washer A2
	10	unit	3.5x30 A2 T10	D-PT 3.5x30 ro he A2 T10 selftap
	11	2	Not supplied	Load cable cable lug M8
v*+Set BA	12	*	CBL SETP 0.5 BK	patchcable 0.5m R45J
Set BA	13	1	CBL SETP 1 BK	patchcable 1 m R45J

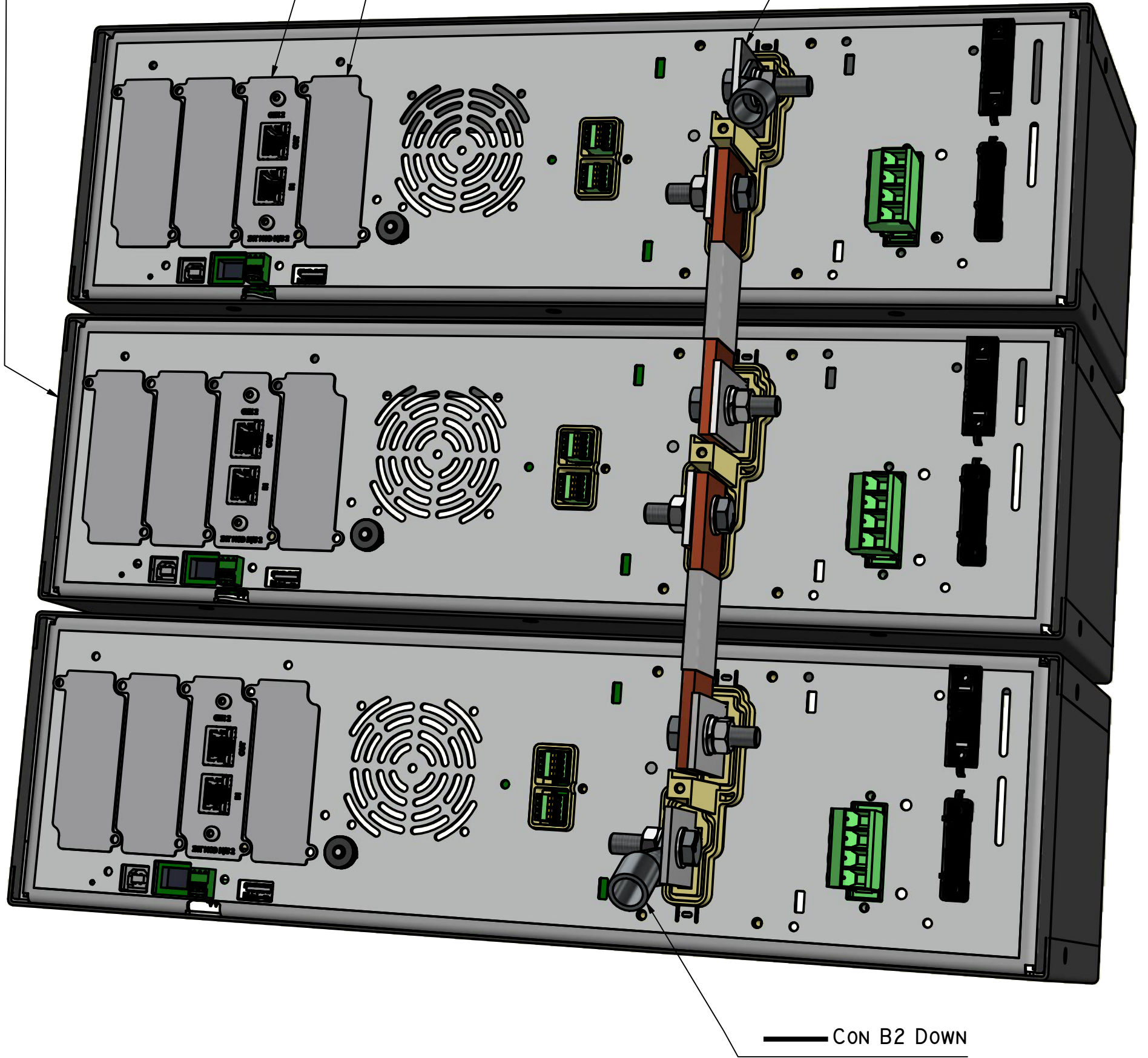
REVISIONS	DATE	NAME	SURFACE TREATMENT:	MAT:
REMARK:	25-06-2019	S.Janse		Delta Elektronika B.V.
TITLE: MASTER SLAVE assembly series 3-6U			DWG	
			A3 SHEET 1-2	



MASTER
MIDDLE POSITION


INT MOD M/S 2
POSITION :
SLOT 3 OR 4

+ CON BI TOP



SM500-CP-90 (3-6x)

CONNECTION SETUP 3/4/5/6 UNITS
ALWAYS COMBINED WITH M/S SER SET BA

			SURFACE TREATMENT:	MAT:	
				DIM: mm Tol.: ± 0.2	
			NAME DESIGNER S.Janse	Delta Elektronika B.V. VISSERSDIJK 4 4301 ND ZIERIKZEE NETHERLANDS	
REVISIONS	DATE	NAME	25-06-2020		
REMARK:	TITLE: MASTER SLAVE assembly series 3-6 U			DWG	A3 SHEET 2-2