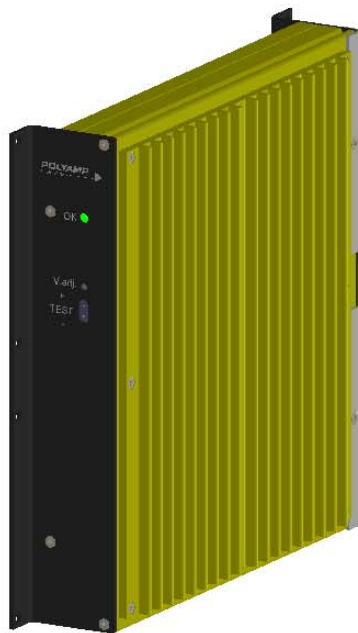
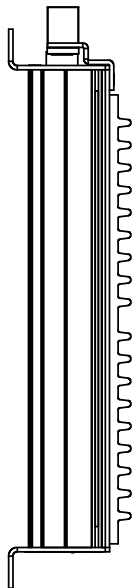
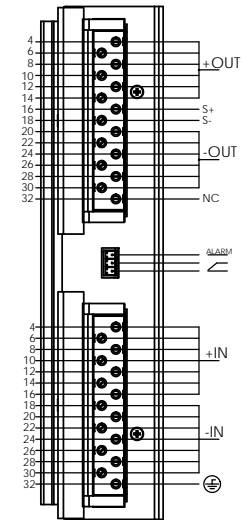
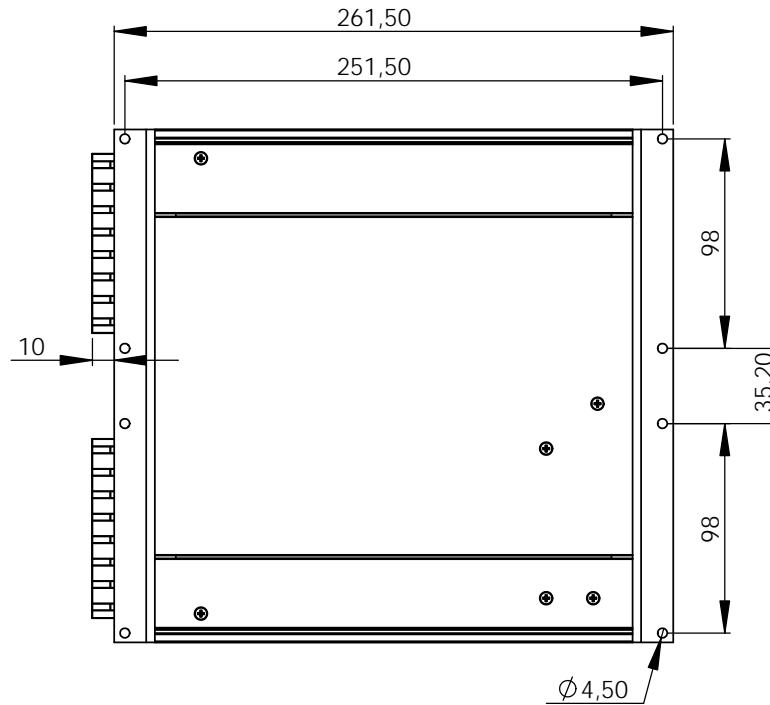
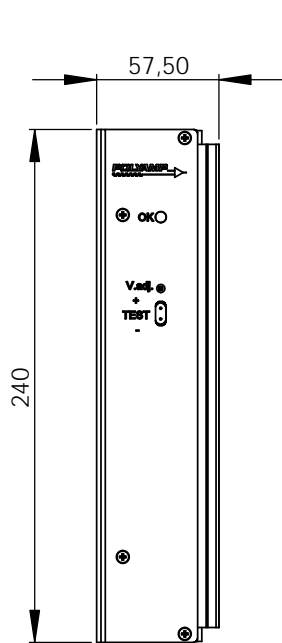


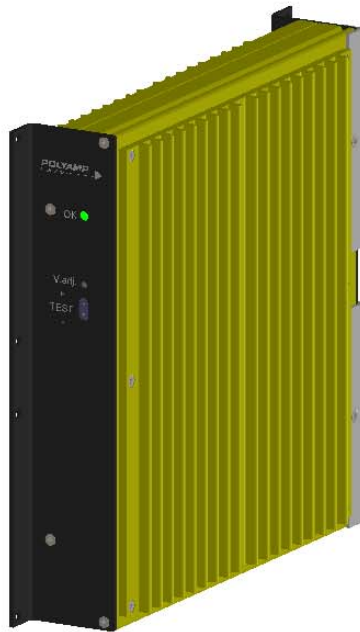
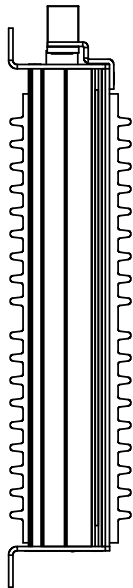
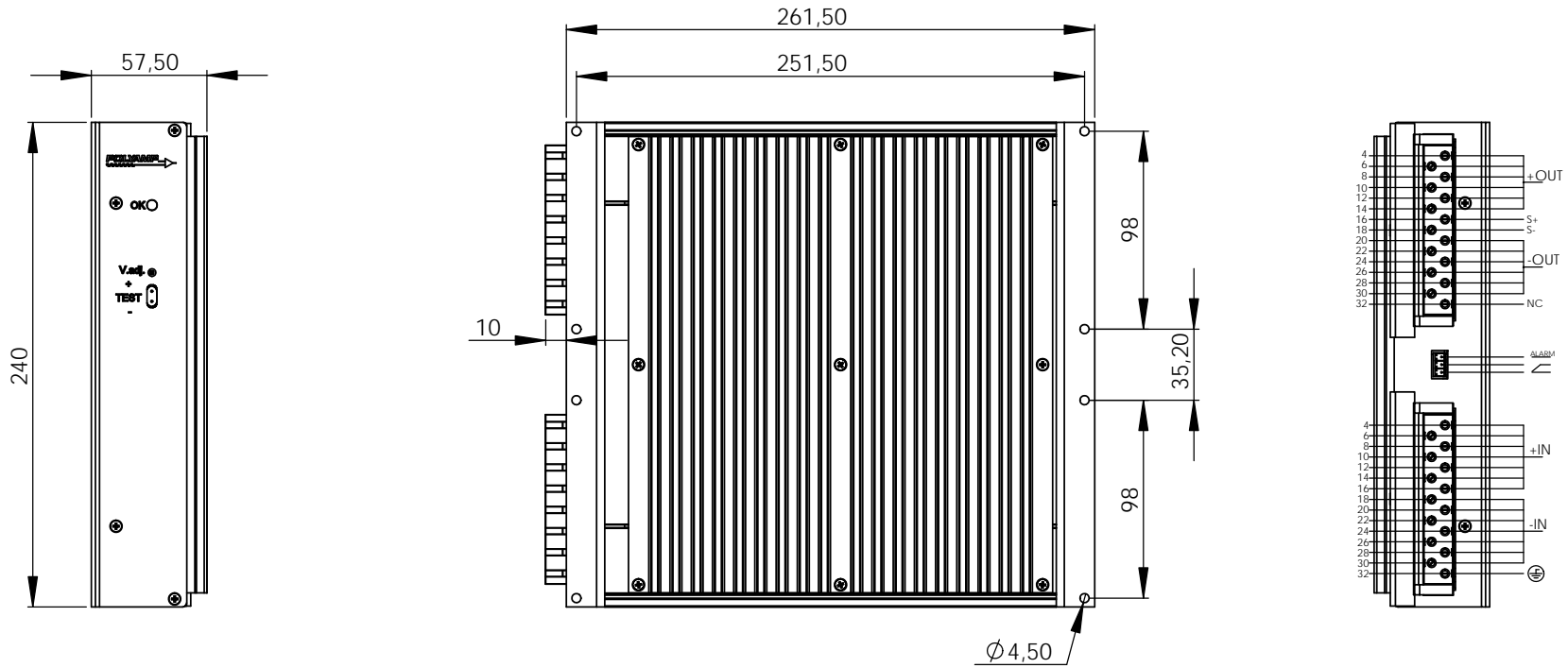
This document is the property of Polyamp AB and shall not, without the permission of Polyamp AB, be allowed, copied, used for manufacturing or communicated to any other person or company.

Weight (kg/m3)	Replaces dwg	Page 1(1)	Associated dwg No.	Units millimeters	Scale 1:2,5	Rev No 00
	PSC600-800 Series Wall mounting H15 connector		Tolerances/Tolerances ISIRI 7161.1 m Njennhet/Surf. test RA 6,3	Designer roand Approved by Rev by	Date (y/m/d) 140331 Date (y/m/d) - Date (y/m/d) -	Dwg No. PSC600_001



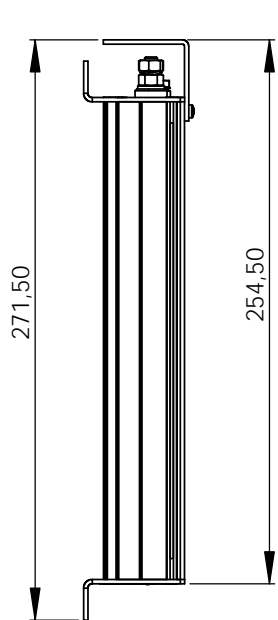
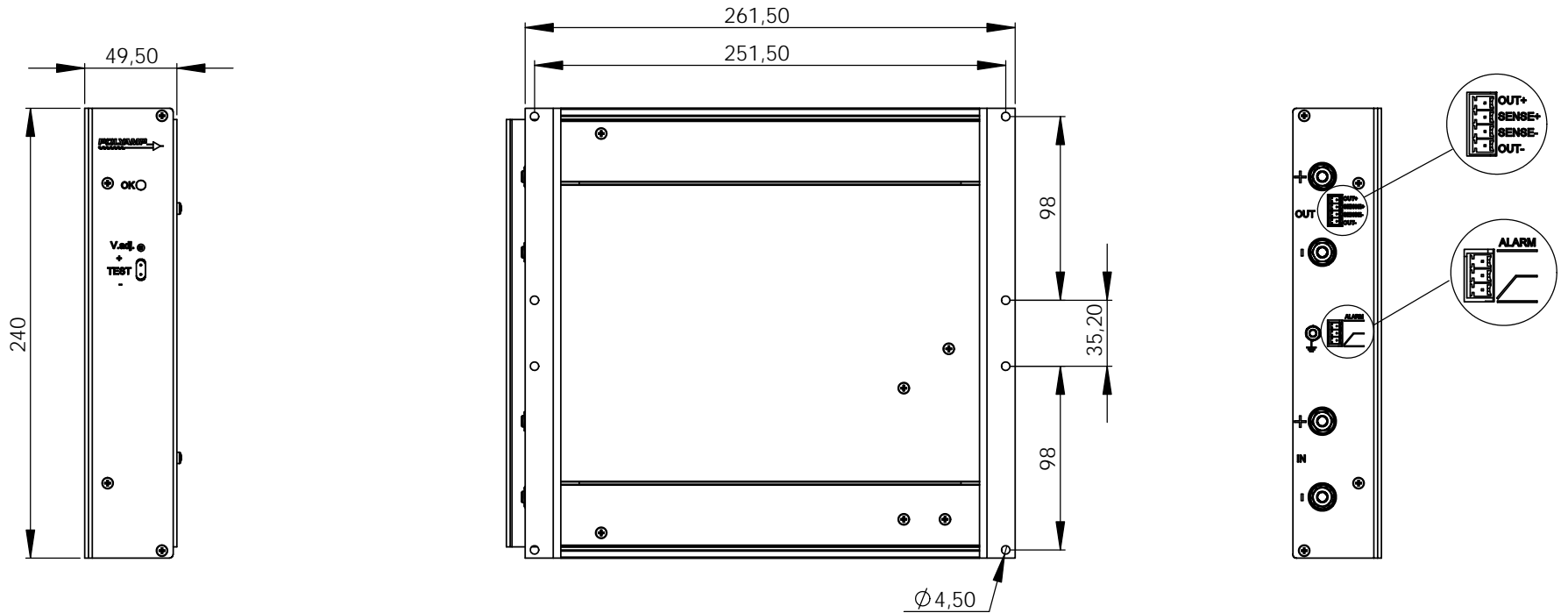
This document is the property of Polyamp AB and shall not, without the permission of Polyamp AB be allowed, copied, used for manufacturing or communicated to any other person or company.

Weight (kg/m3)	Replaces dwg	Page 1(1)	Associated dwg No.	Units millimeters	Scale 1:2.5	Rev No 00
	PSC600-800 Series Wall mounting H15 connector 1 addon cooler		Tolerances/Intolerances ISIRI 7161.1 m Njammhet/Surf. Test RA 6,3	Designer roand Approved by Rev by	Date (y/m/d) 140331 Date (y/m/d) - Date (y/m/d) -	Dwg No. PSC600_002



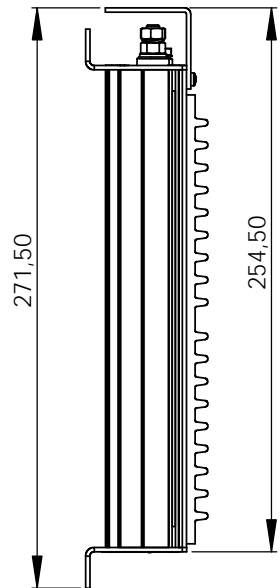
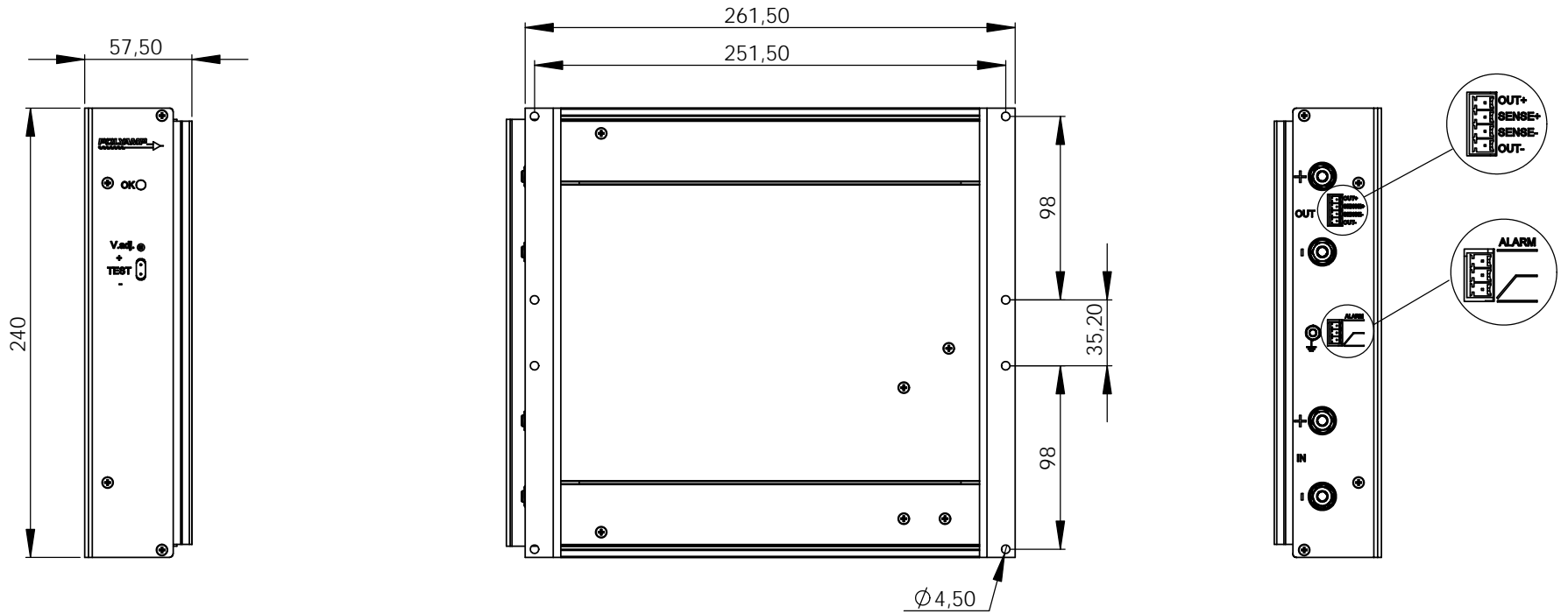
This document is the property of Polyamp AB and shall not, without the permission of Polyamp AB, be allowed, copied, used for manufacturing or communicated to any other person or company.

Weight (kg/m)	Replaces dwg	Page 1(1)	Associated dwg No	Units millimeters	Scale 1:2.5	Rev No 00
	PSC600-800 Series Wall mounting H15 connector 2 addon cooler			Tolerance/Tolerances ISO 2768-1	Designer roand	Date (y/m/d) 140331
				RA 6,3	Approved by	Date (y/m/d)
					Rev by	Date (y/m/d)
				Dwg No.	PSC600_003	



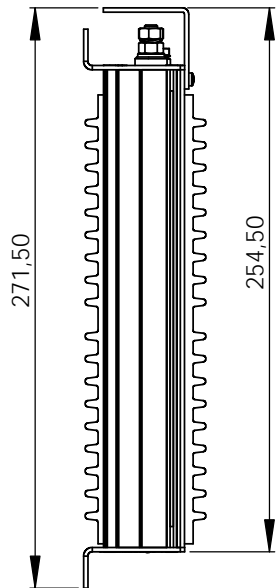
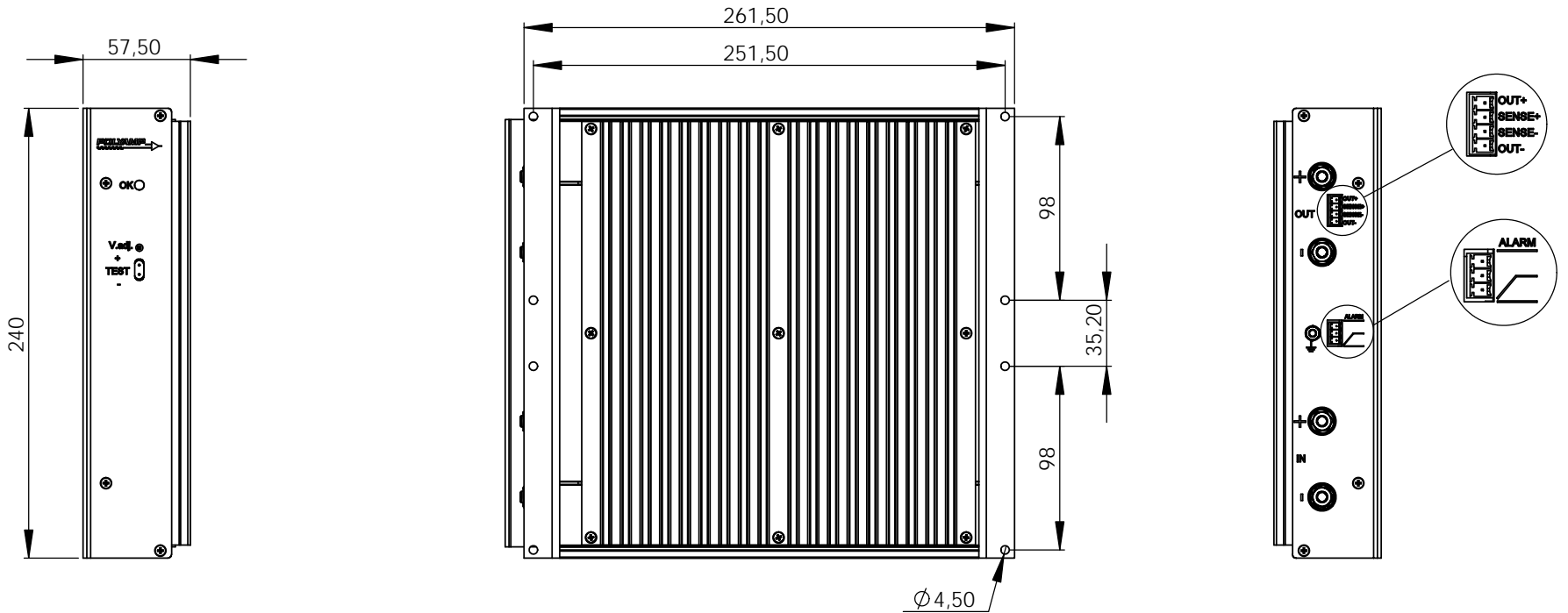
This document is the property of Polyamp AB and shall not, without the permission of Polyamp AB, be allowed, copied, used for manufacturing or communicated to any other person or company.

Weight (kg/m3)	Replaces dwg	Page 1(1)	Associated dwg No.	Units millimeters	Scale 1:2.5	Rev No 00
	PSC600-800 Series Wall mounting Stud		Tolerances/Intolerances ISIRI 718:1 m Njennhet/Surf. test RA 6,3	Designer roand Approved by Rev by	Date (y/m/d) Date (y/m/d) Date (y/m/d)	140331 Date (y/m/d) Date (y/m/d)
	Dwg No. PSC600_004					



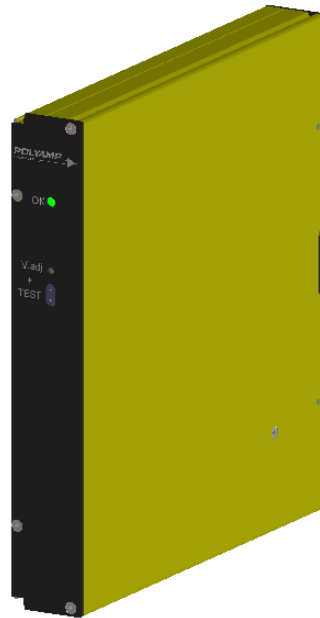
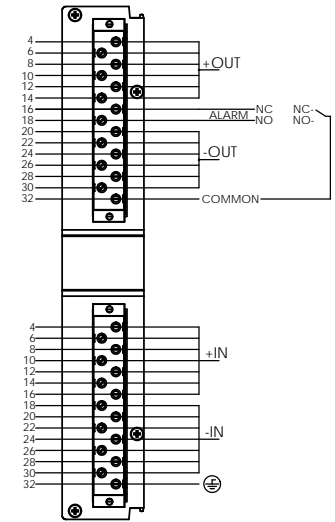
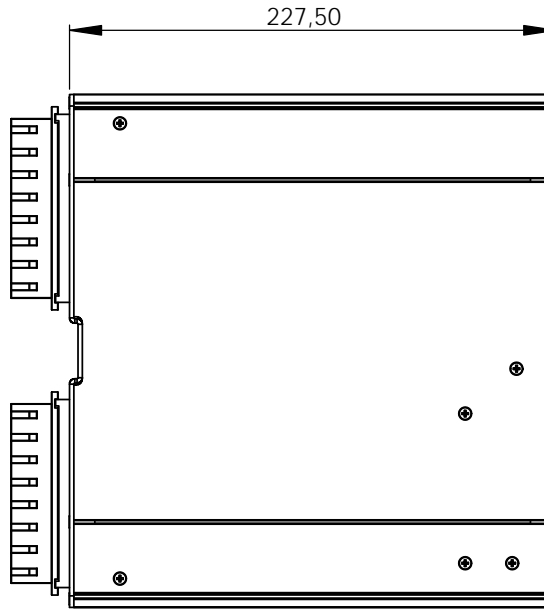
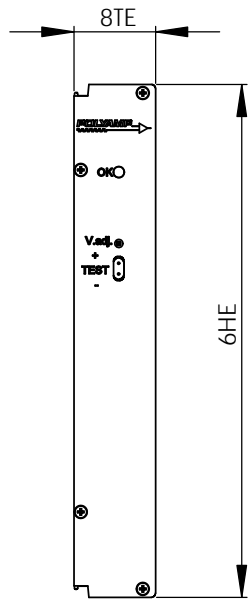
This document is the property of Polyamp AB and shall not, without the permission of Polyamp AB be allowed, copied, used for manufacturing or communicated to any other person or company.

Weight (kg/m)	Replaces dwg	Page 1(1)	Associated dwg No.	Units millimeters	Scale 1:2.5	Rev No 00
	PSC600-800 Series Wall mounting Stud 1 addon cooler		Toleranz/Tolerances ISO 2768-1 Designer roand Date (y/m/d) 140331 Approved by Date (y/m/d) - RA 6,3 Rev by Date (y/m/d) - Dwg No.	PSC600_005		



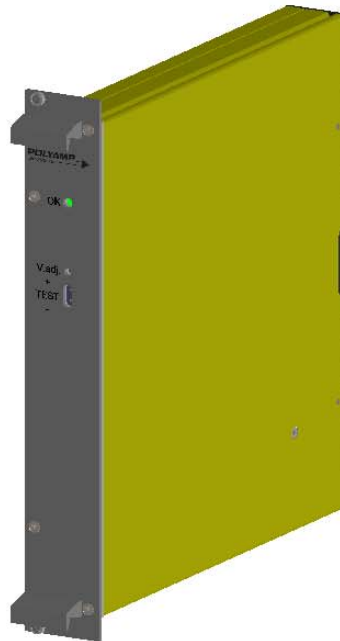
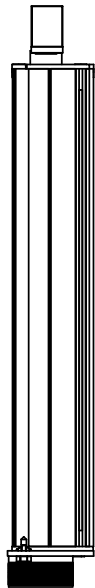
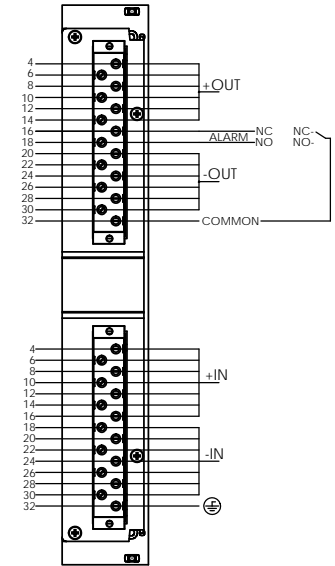
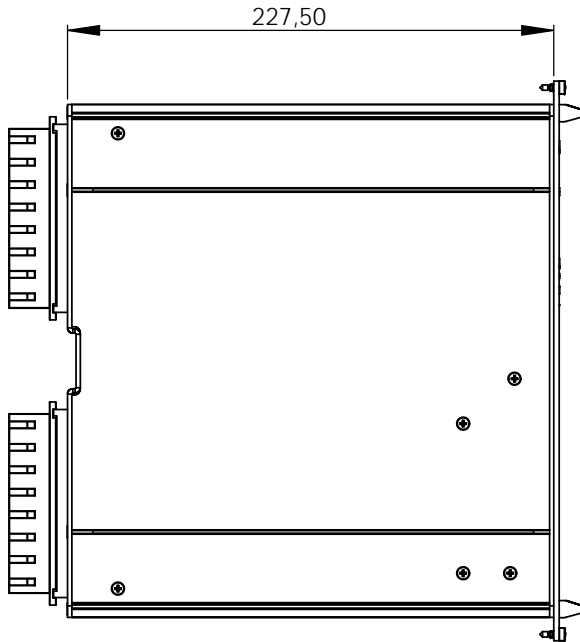
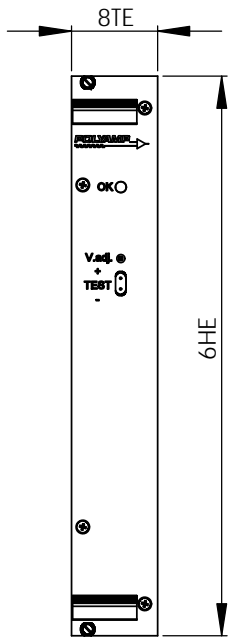
This document is the property of Polyamp AB and shall not, without the permission of Polyamp AB be allowed, copied, used for manufacturing or communicated to any other person or company.

Weight (kg/m3)	Replaces dwg	Page 1(1)	Associated dwg No.	Units millimeters	Scale 1:2.5	Rev No 00	
	PSC600-800 Series Wall mounting Stud 2 addon cooler		Tolerances/Intolerances ISIRI 718:1 m Njennhet/Surf. text RA 6,3	Designer roand Approved by Rev by	Date (y/m/d) Date (y/m/d) Date (y/m/d)	140331 Date (y/m/d)	
	Dwg No.					PSC600_006	



This document is the property of Polyamp AB and shall not, without the permission of Polyamp AB be allowed, copied, used for manufacturing or communicated to any other person or company.

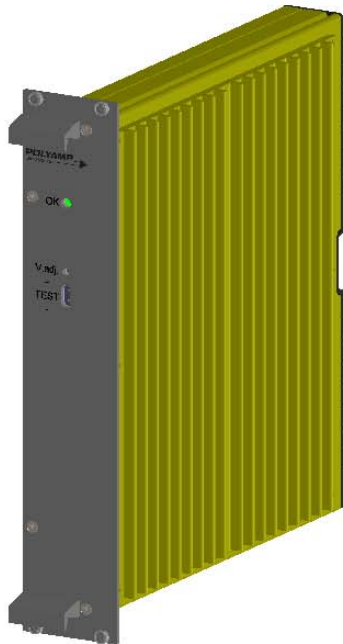
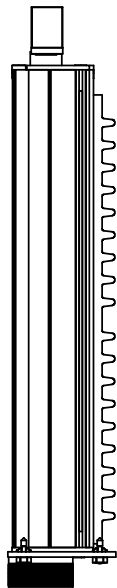
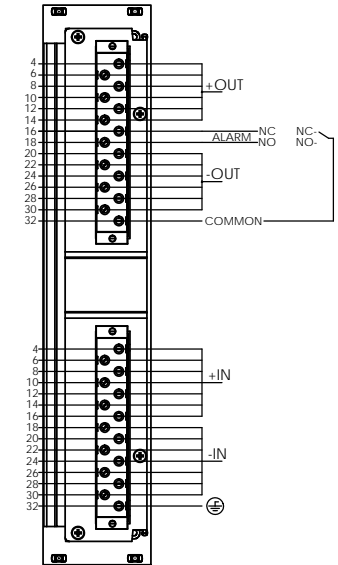
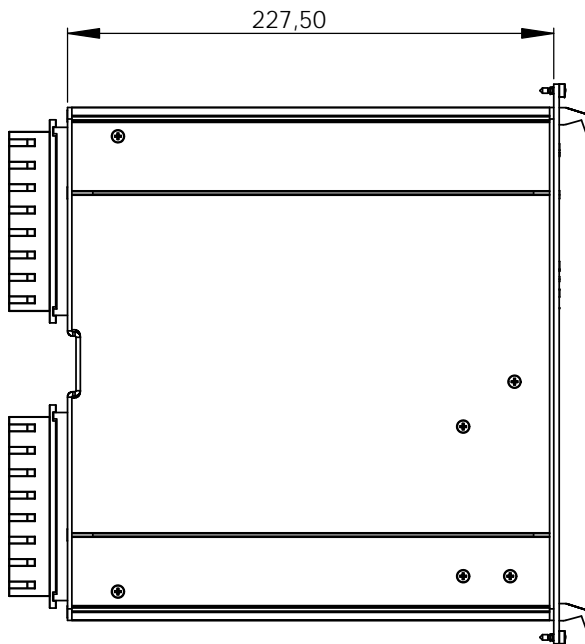
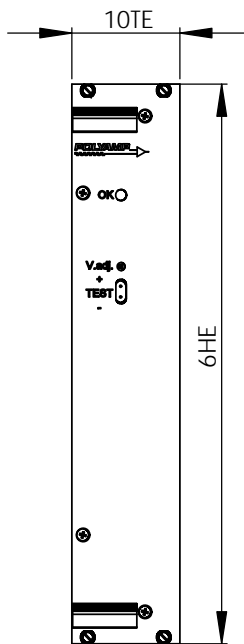
Weight (kg/m3)	Replaces dwg	Page 1(1)	Associated dwg No.	Units millimeters	Scale 1:2.5	Rev No 00	
	PSC600-800 Series Rack mounting 8TE H15 connector			Tolerances/Tolerances IS:ISO 2768:1 m Njmmhet/Surf. list RA 6,3	Designer roand Approved by Rev by	Date (y/m/d) 140331 Date (y/m/d) Date (y/m/d)	
	Dwg No.						PSC600_007




This document is the property of Polyamp AB and shall not, without the permission of Polyamp AB be allowed, copied, used for manufacturing or communicated to any other person or company.

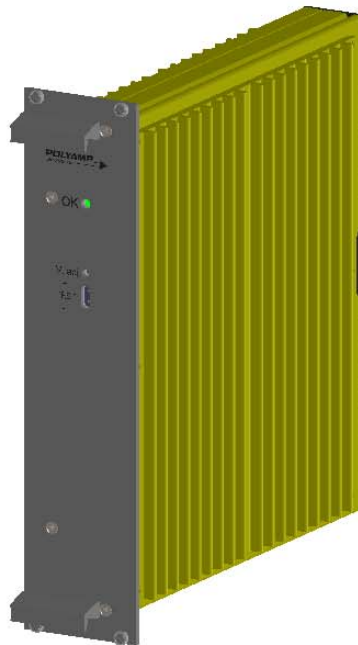
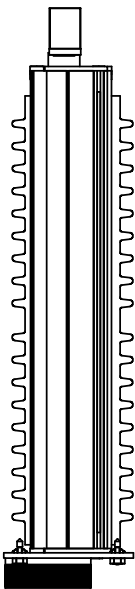
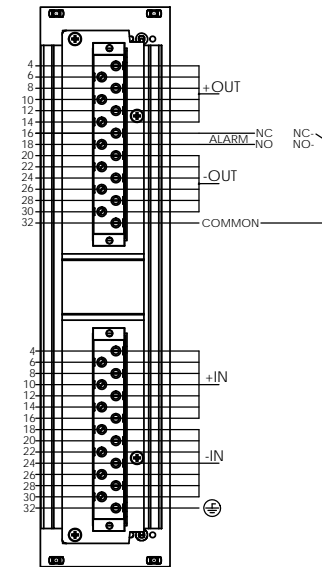
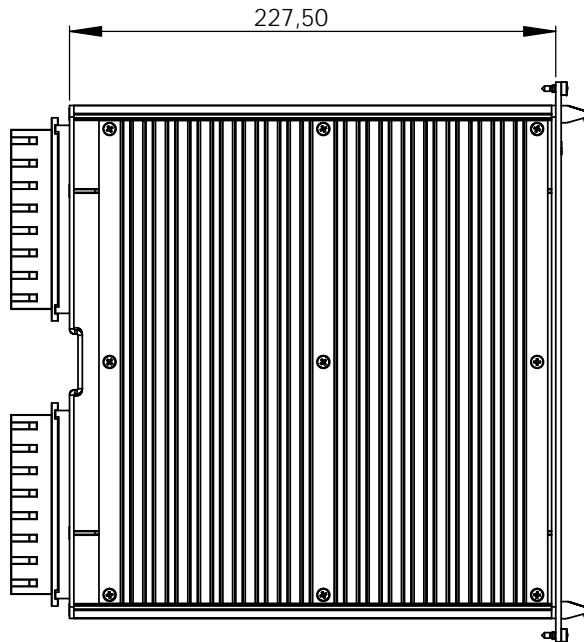
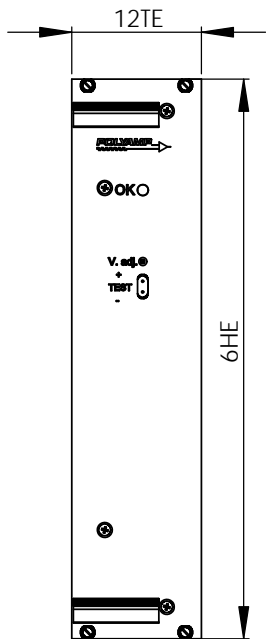
Weight (kg/m3)	Replaces drawing	Page 1(1)	Associated drawing No.	Units millimeters	Scale 1:2.5	Rev No 00
	PSC600-800 Series Rack mounting 8TE H15 connector			Tolerance/Tolerances ISO 2768-1	Designer roand	Date (y/m/d) 140331
				<i>m</i>	Approved by	Date (y/m/d)
				RA 6,3	Rev by	Date (y/m/d)
				Dwg No.	PSC600_008	





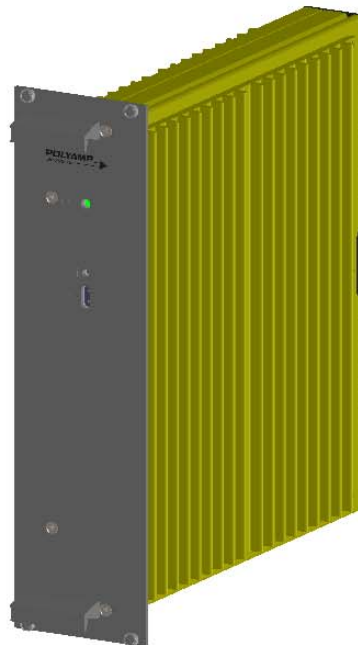
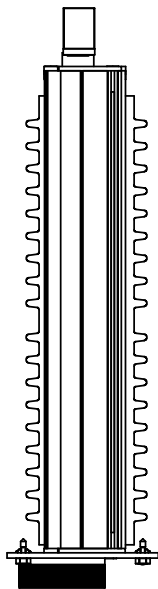
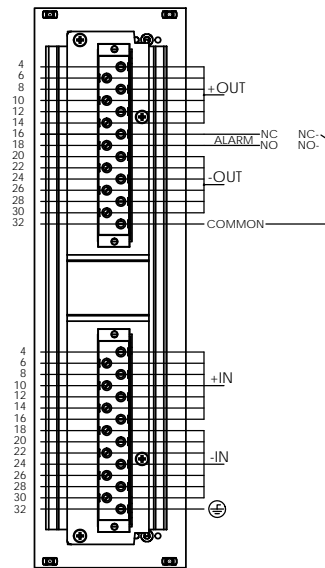
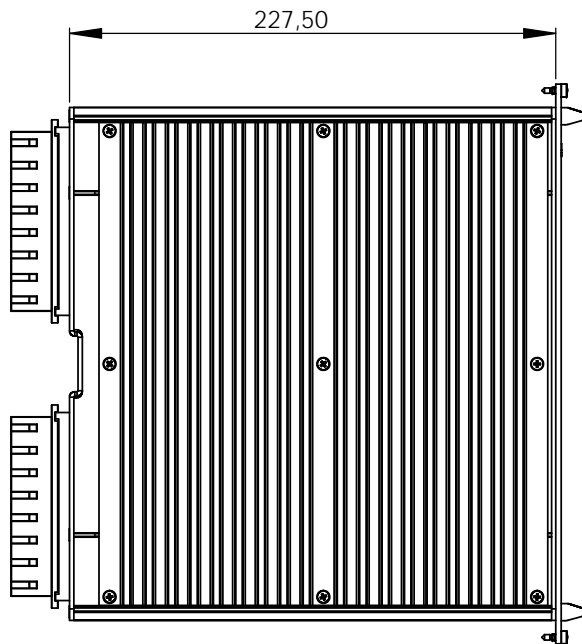
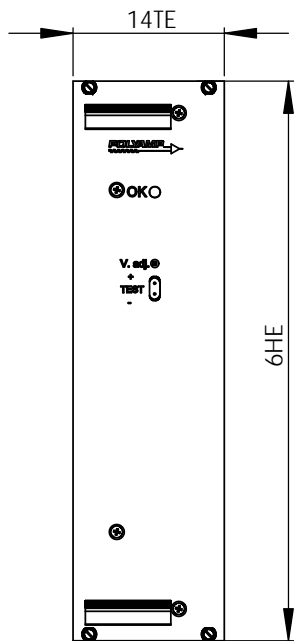
This document is the property of Polyamp AB and shall not, without the permission of Polyamp AB, be allowed, copied, used for manufacturing or communicated to any other person or company.

Weight (kg/m3)	Replaces drawing	Page 1(1)	Associated drawing No.	Units millimeters	Scale 1:2.5	Rev No 00
	PSC600-800 Series Rack mounting 10TE H15 connector 1 addon cooler			Tolerance/Tolerances ISO 2768-1	Designer roand	Date (y/m/d) 140331
				<i>m</i>	Approved by	Date (y/m/d)
				RA 6,3	Rev by	Date (y/m/d)
				Dwg No.	PSC600_009	



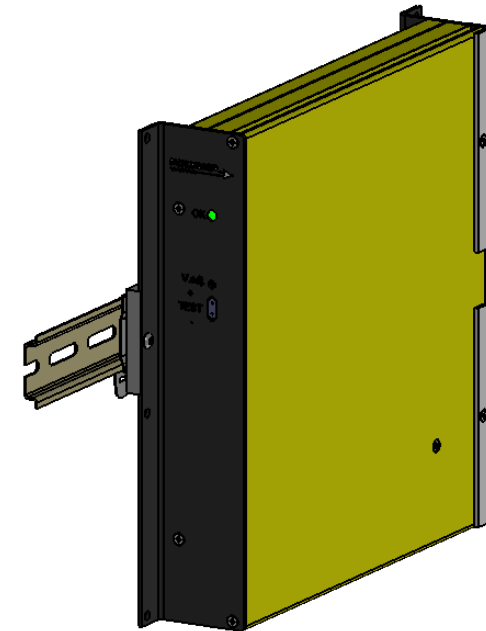
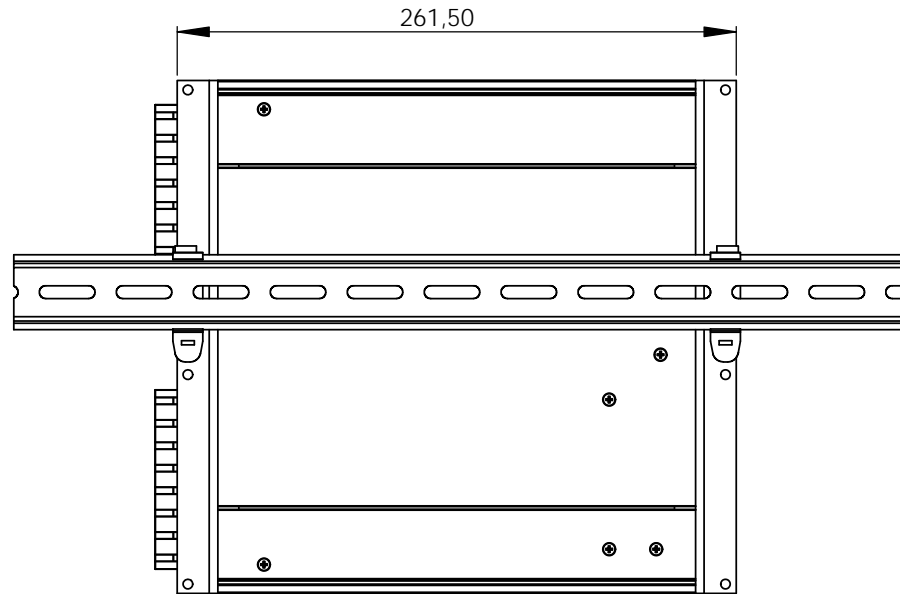
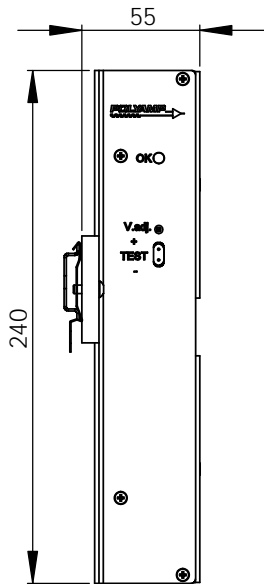
This document is the property of Polyamp AB and shall not, without the permission of Polyamp AB, be allowed, copied, used for manufacturing or communicated to any other person or company.

Weight (kg/m3)	Replaces dwg	Page 1(1)	Associated dwg No.	Units millimeters	Scale 1:2.5	Rev No. 00
	PSC600-800 Series Rack mounting 12TE H15 connector 2 addon cooler			Tolerance/Tolerances ISO 2768-1	Designer roand	Date (y/m/d) 140331
				<i>m</i>	Approved by	Date (y/m/d)
				RA 6,3	Rev by	Date (y/m/d)
				Dwg No.	PSC600_010	



This document is the property of Polyamp AB and shall not, without the permission of Polyamp AB, be allowed, copied, used for manufacturing or communicated to any other person or company.

Weight (kg/m3)	Replaces drawing	Page 1(1)	Associated drawing No.	Units millimeters	Scale 1:2.5	Rev No. 00
	PSC600-800 Series Rack mounting 14TE H15 connector 2 add-on cooler			Tolerance/Tolerances ISO 2768-1	Designer roand	Date (y/m/d) 140331
				<i>m</i>	Approved by	Date (y/m/d)
				RA 6,3	Rev by	Date (y/m/d)
				Dwg No.	PSC600_011	



This document is the property of Polyamp AB and shall not, without the permission of Polyamp AB be allowed, copied, used for manufacturing or communicated to any other person or company.

Weight (kg/m)	Replaces dwg	Page 1(1)	Associated dwg No.	Units millimeters	Scale 1:2.5	Rev No. 00	
		PSC600-800 Series Wall mounting H15 connector DIN rail mounting			Tolerances/Intolerances IS:ISO 2768:1 m Njennhet/Surf. text RA 6,3	Designer roand Approved by Rev by	Date (y/m/d) 150325 Date (y/m/d) - Date (y/m/d) -
Dwg No.					PSC600_18		